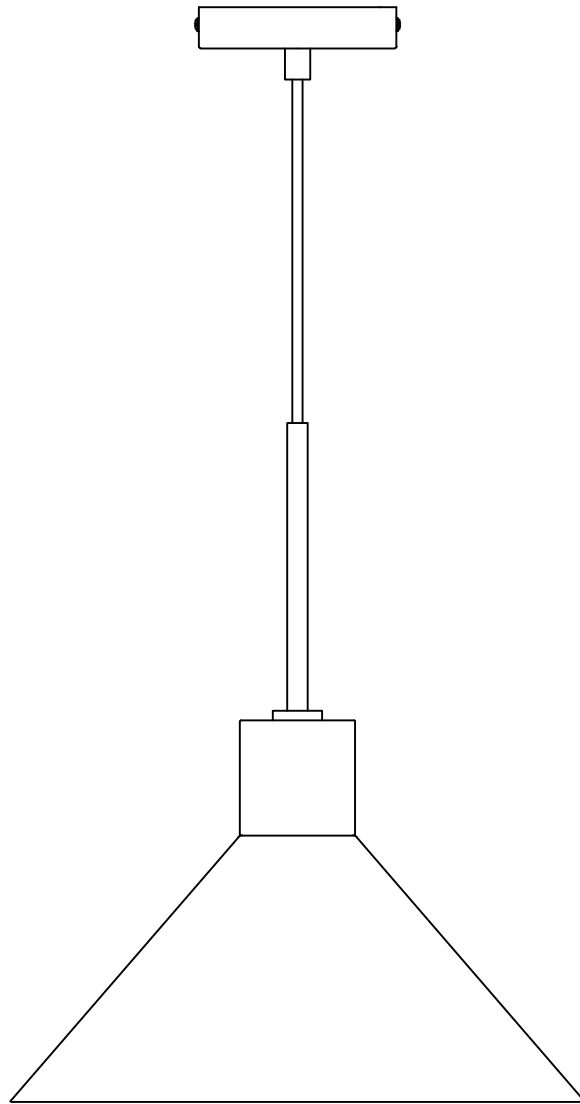
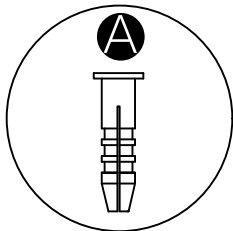
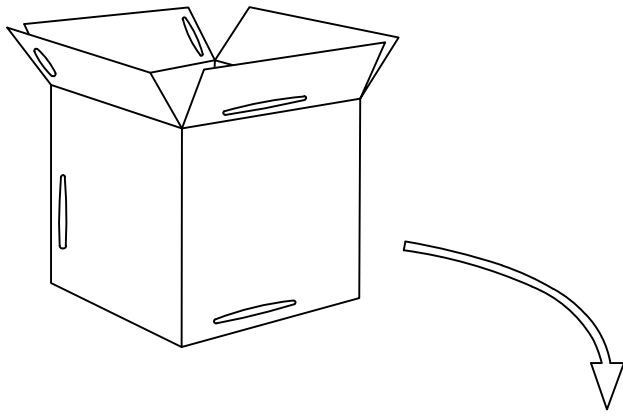
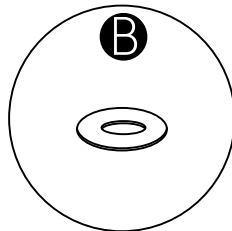


Crayon Lamp

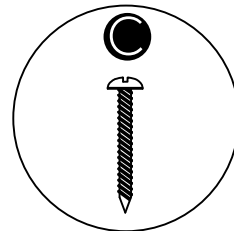




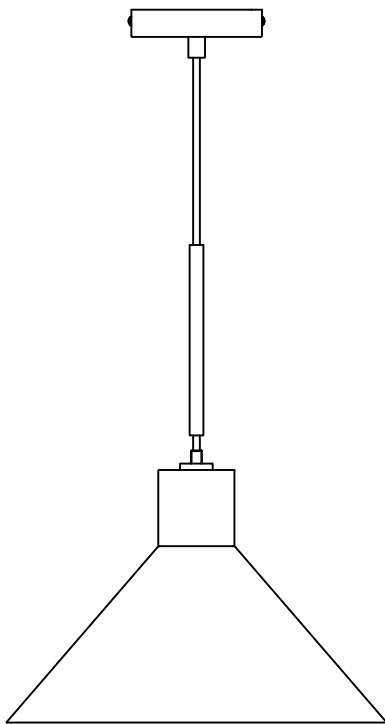
x 2



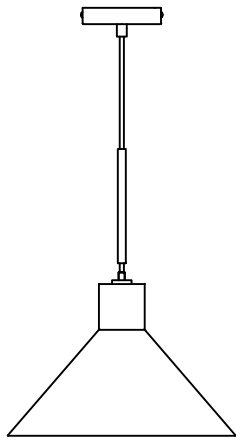
x 2



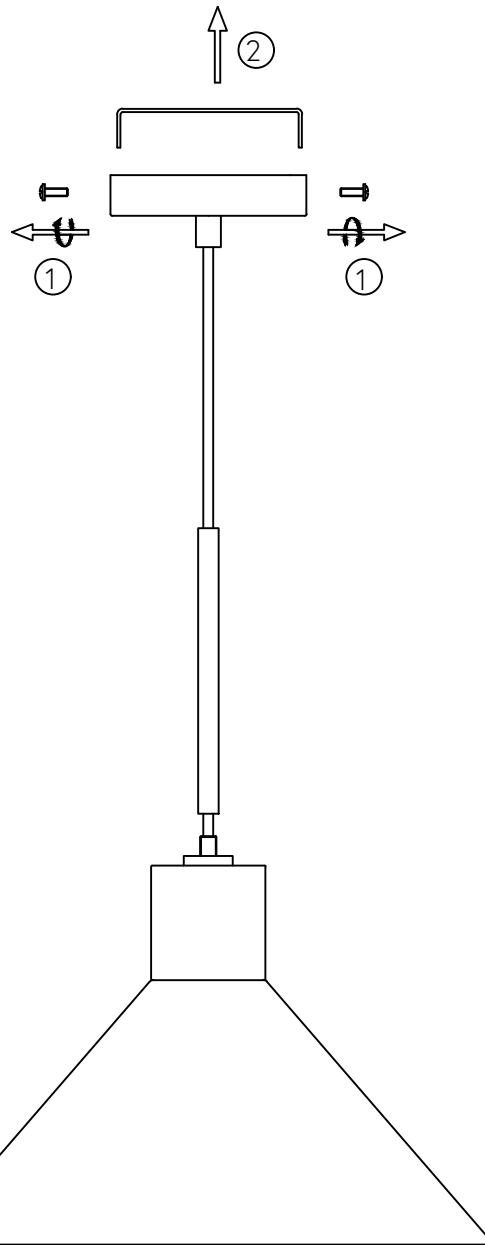
x 2



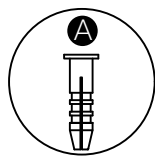
x 1



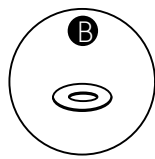
x 1



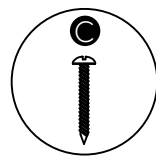
3



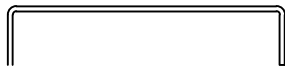
x 2



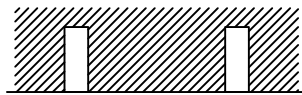
x 2



x 2



x 1



A

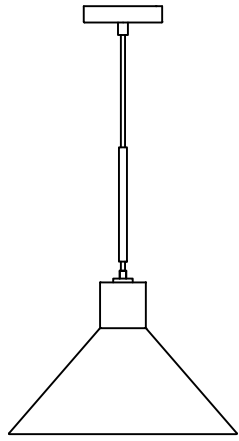


B

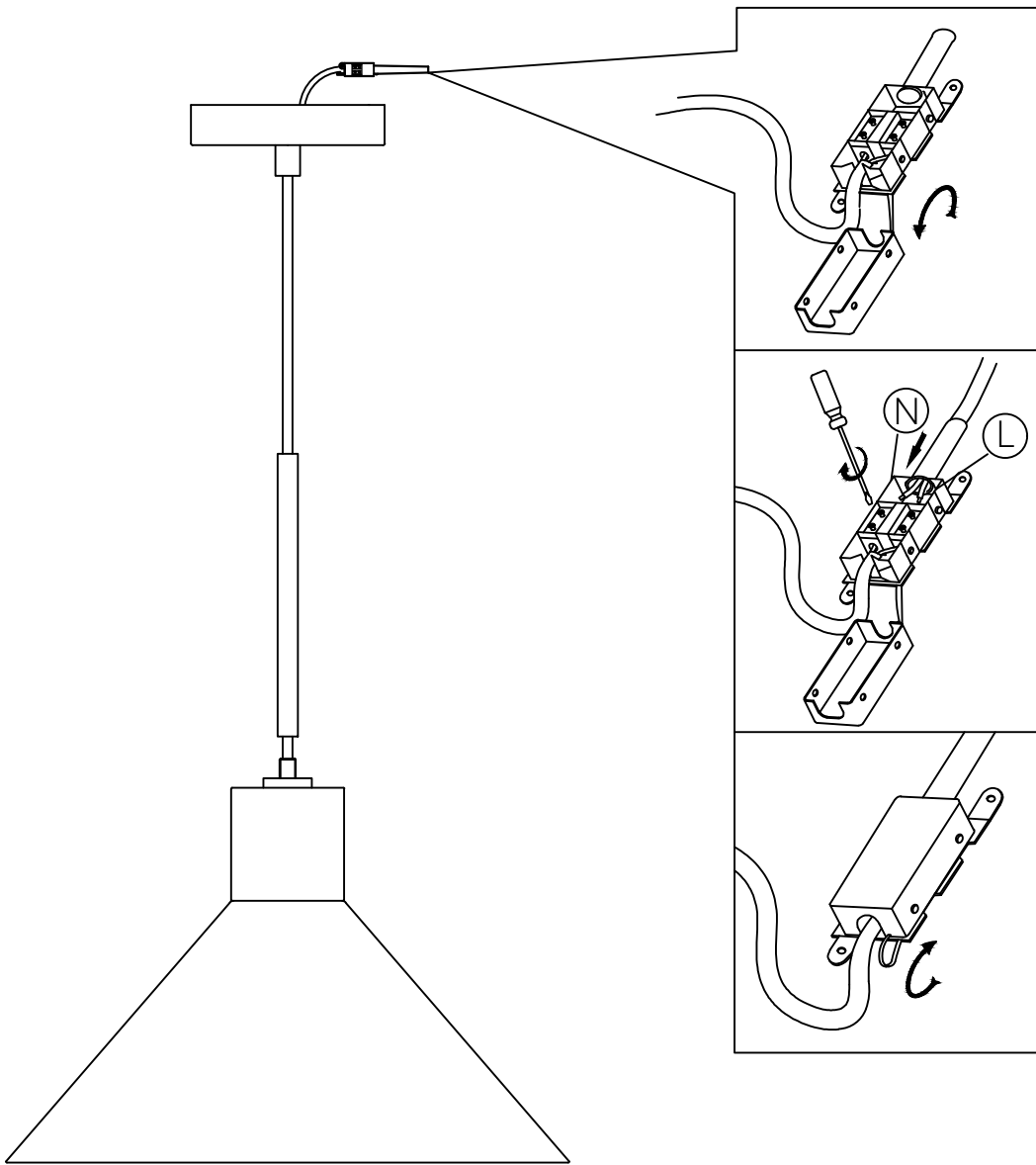


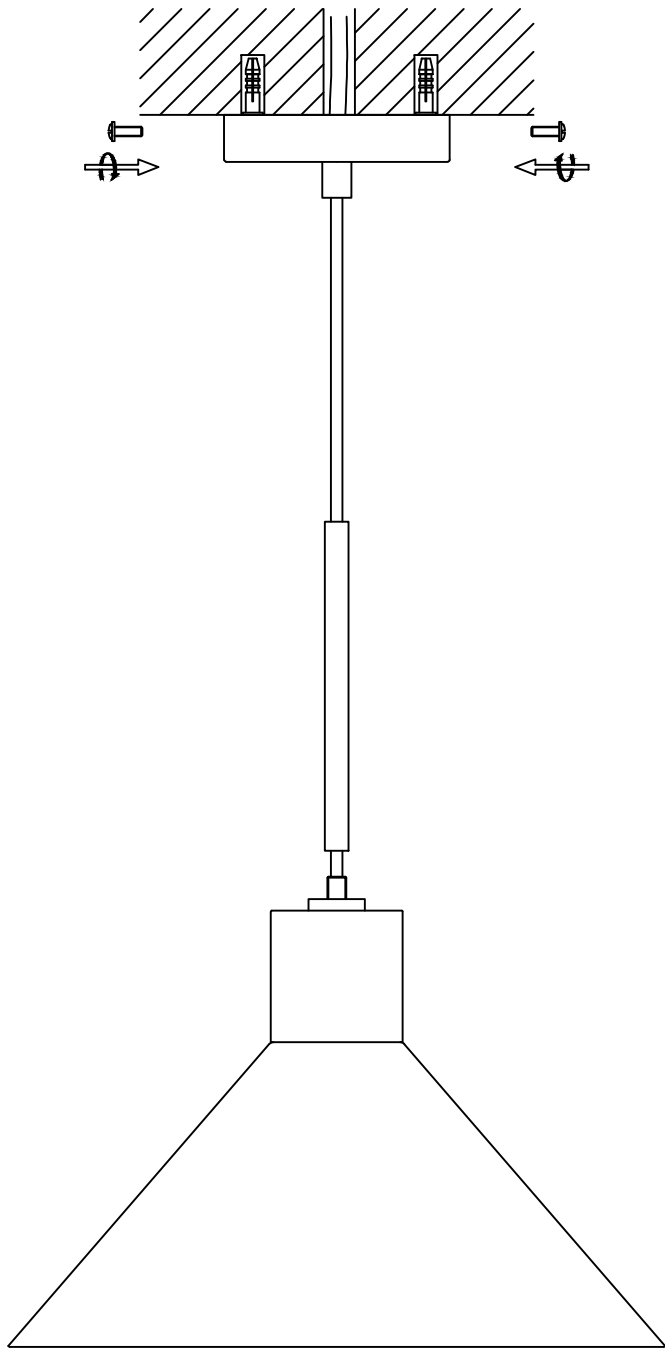
C

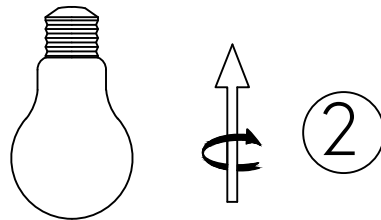
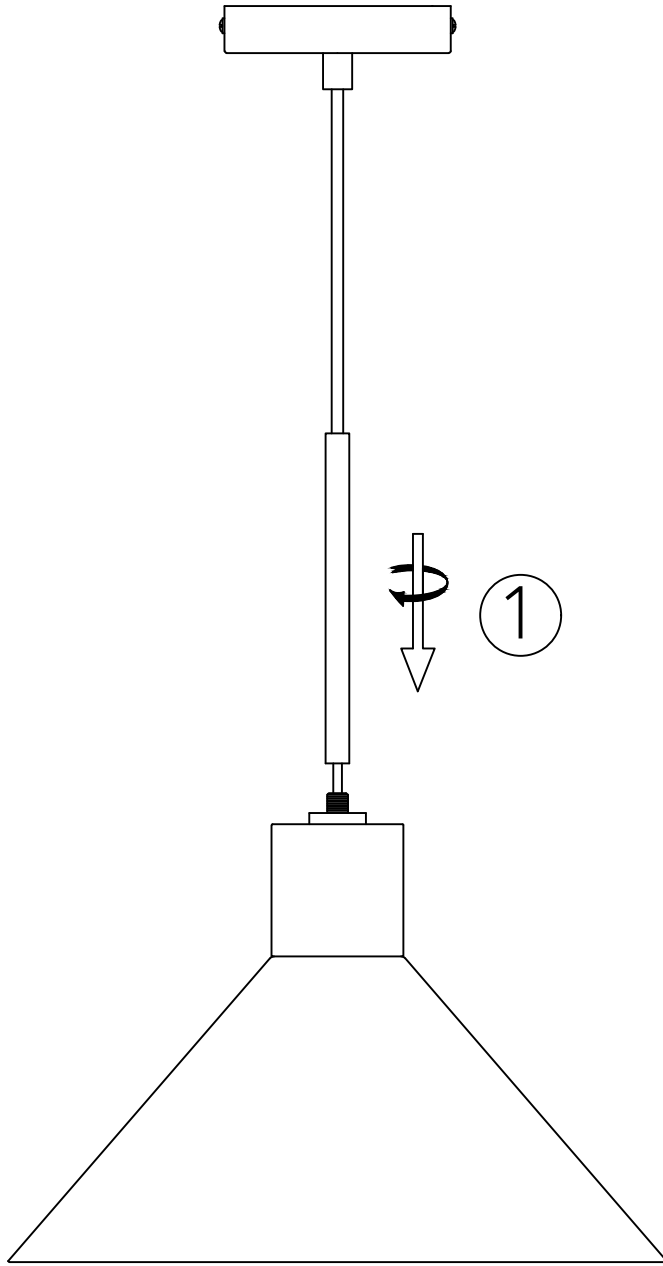


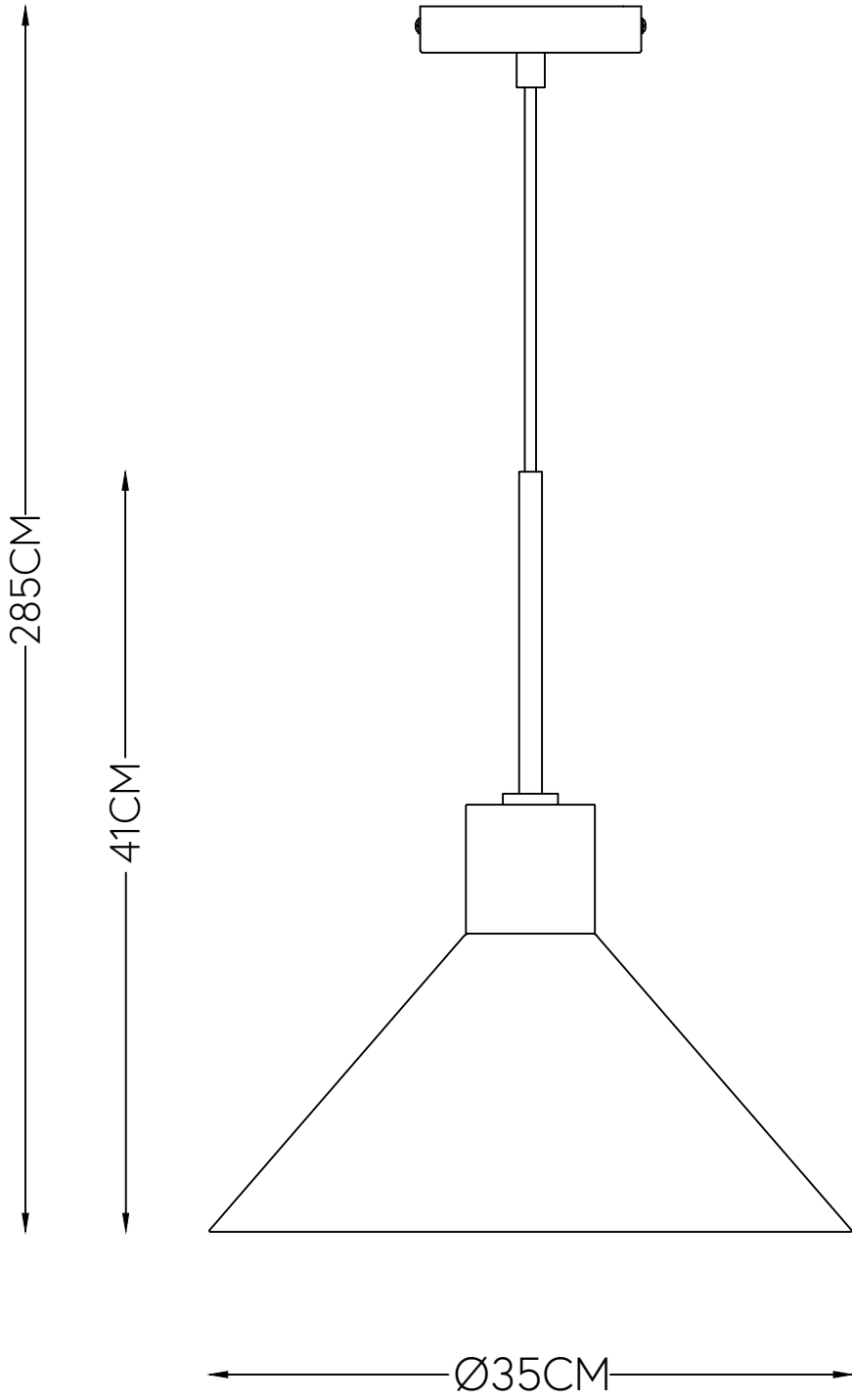


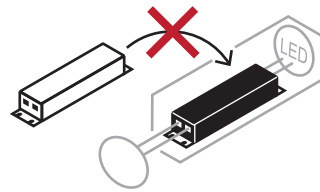
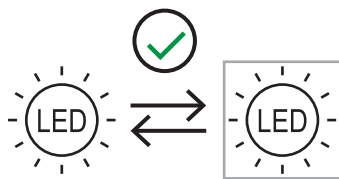
x 1









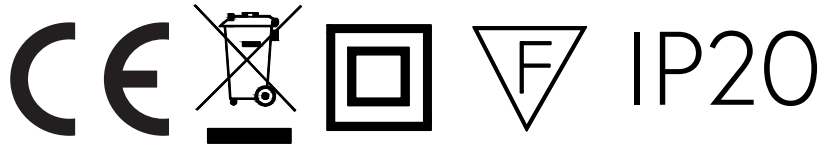


Model number:991405

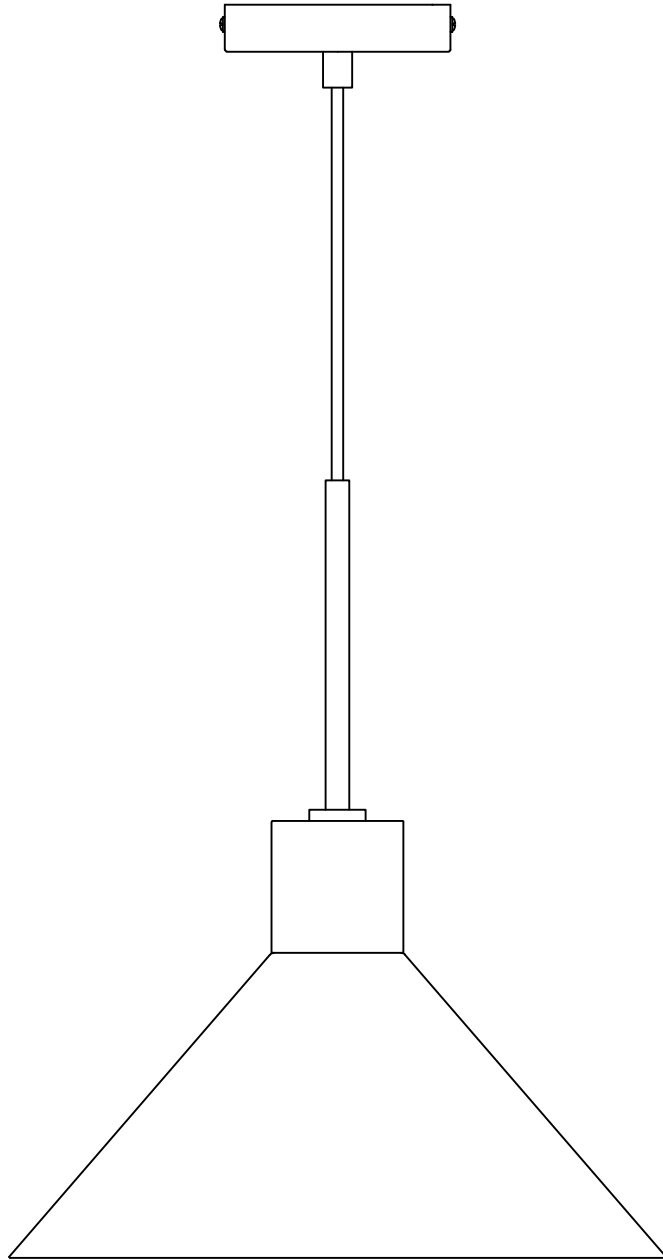
220-240V~ 50Hz

E27 MAX.15W LED Bulb

Hübsch A/S,Hi-Park 381,DK-7400 Herning



hubsch-interior.com



#myhubsch @hubschinterior

Hübsch
DANISH HOME INTERIOR & DESIGN