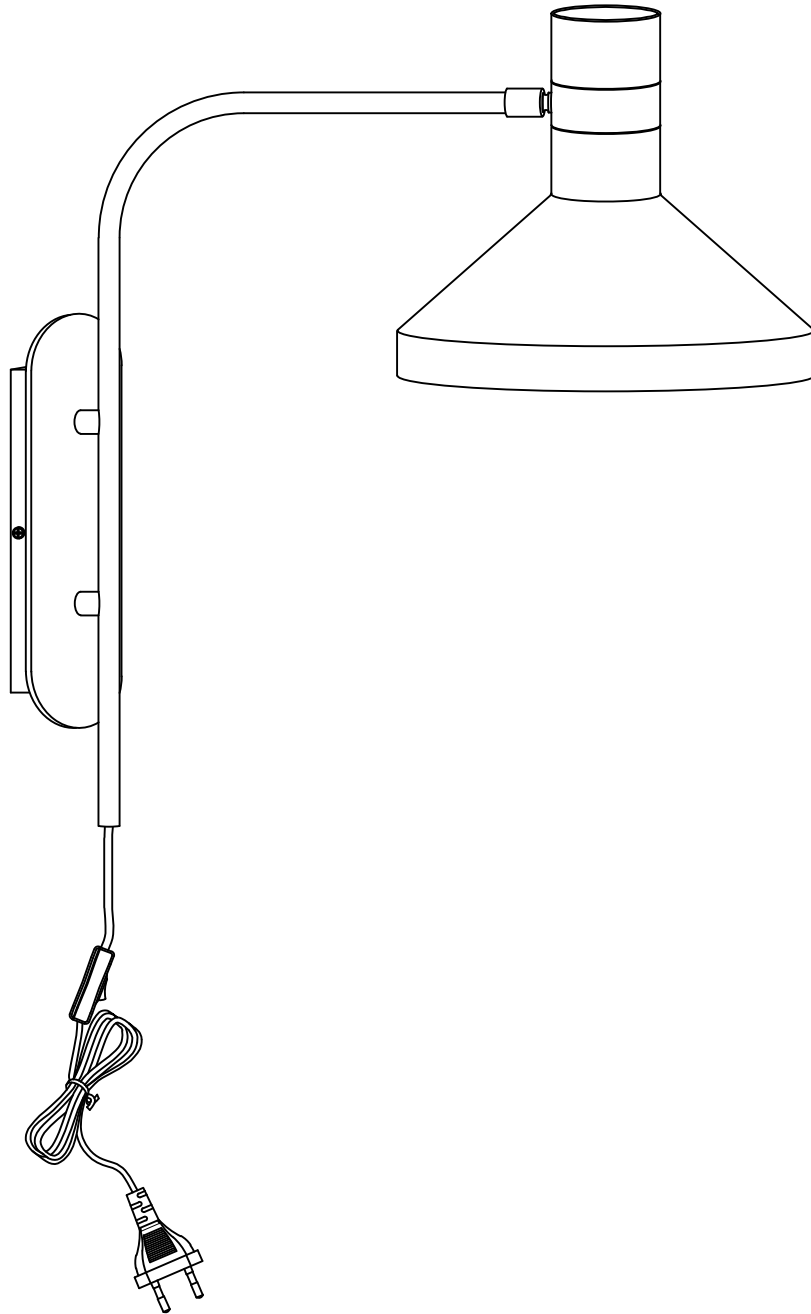
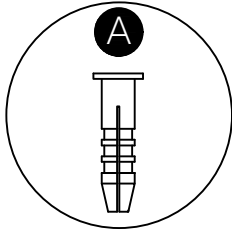
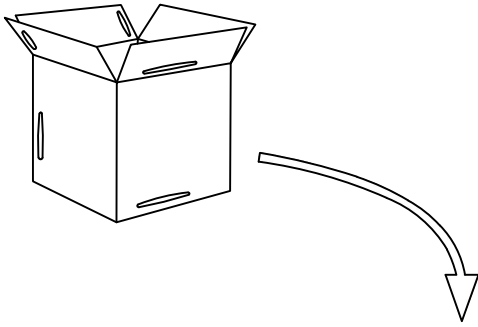


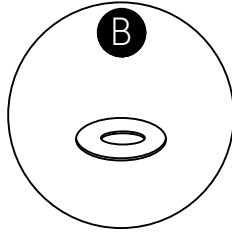
Studio Wall Lamp



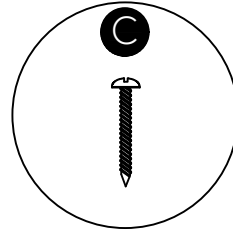
Hübsch
DANISH HOME INTERIOR & DESIGN



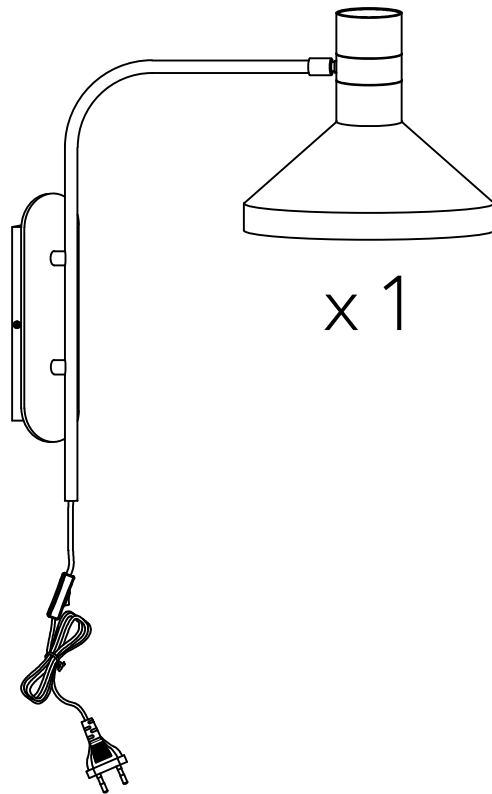
x 2



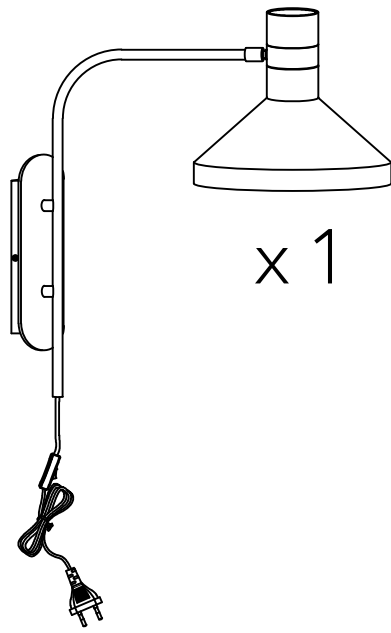
x 2



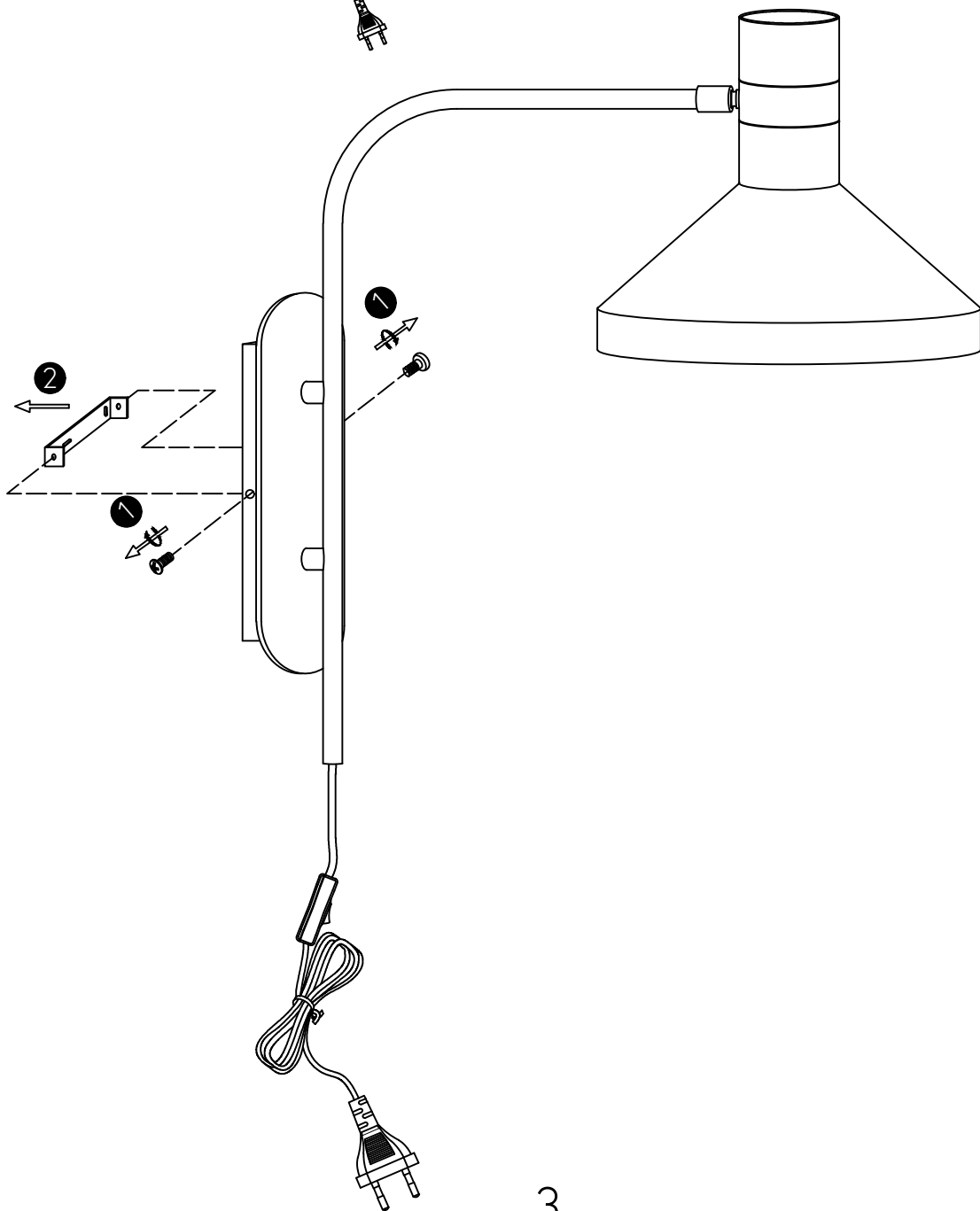
x 2



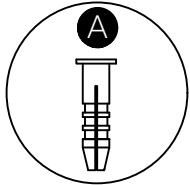
x 1



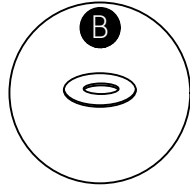
x 1



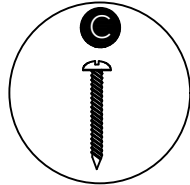
3



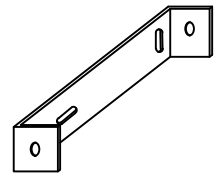
x 2



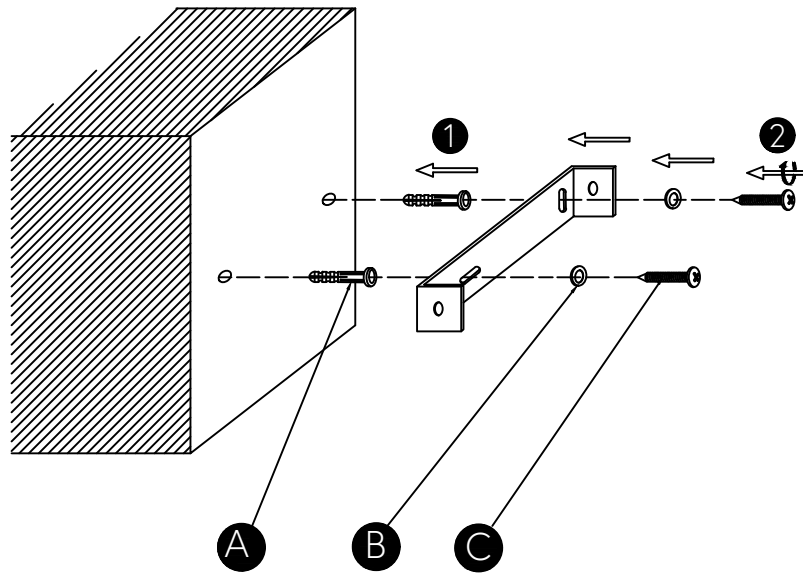
x 2

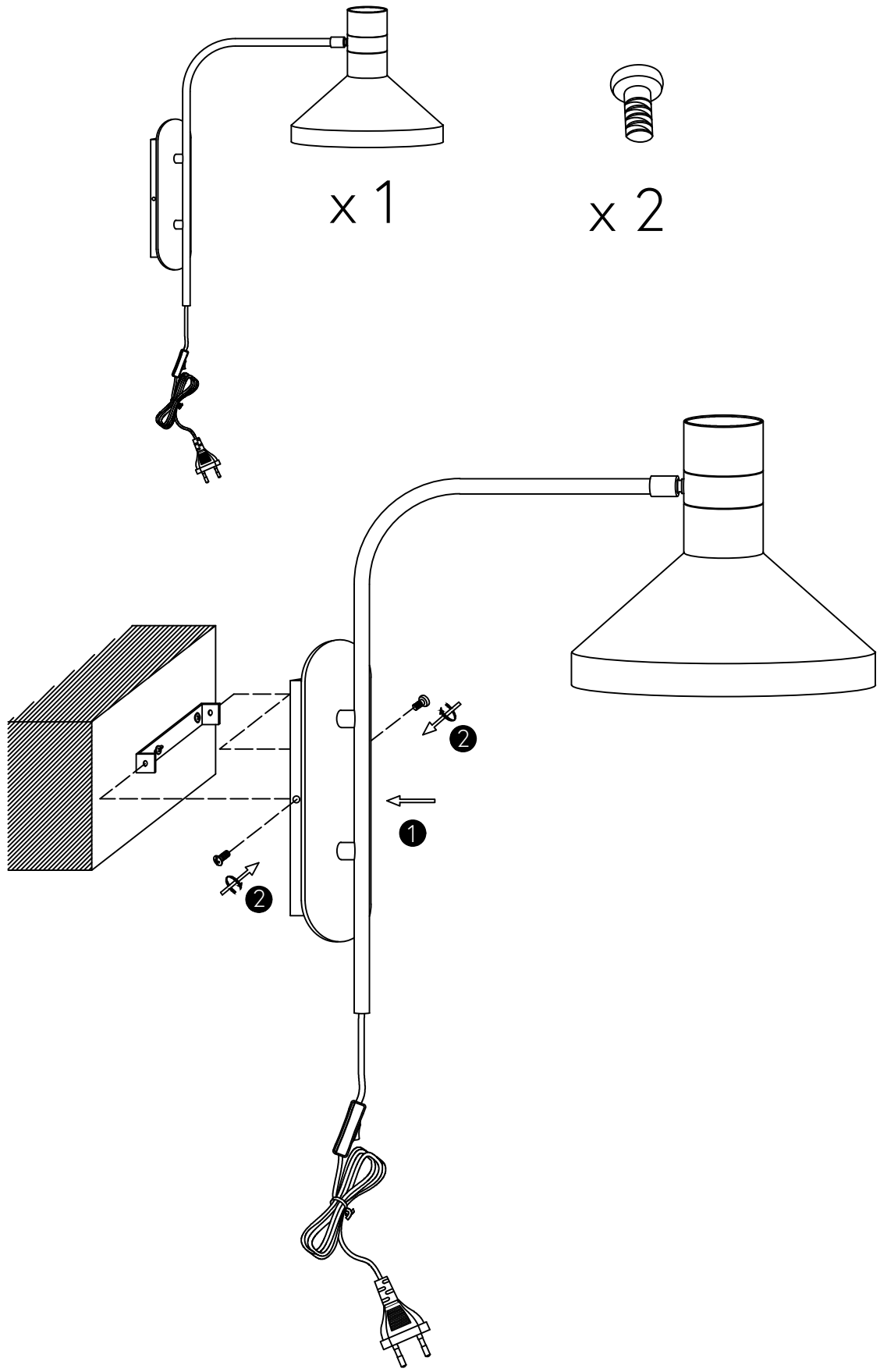


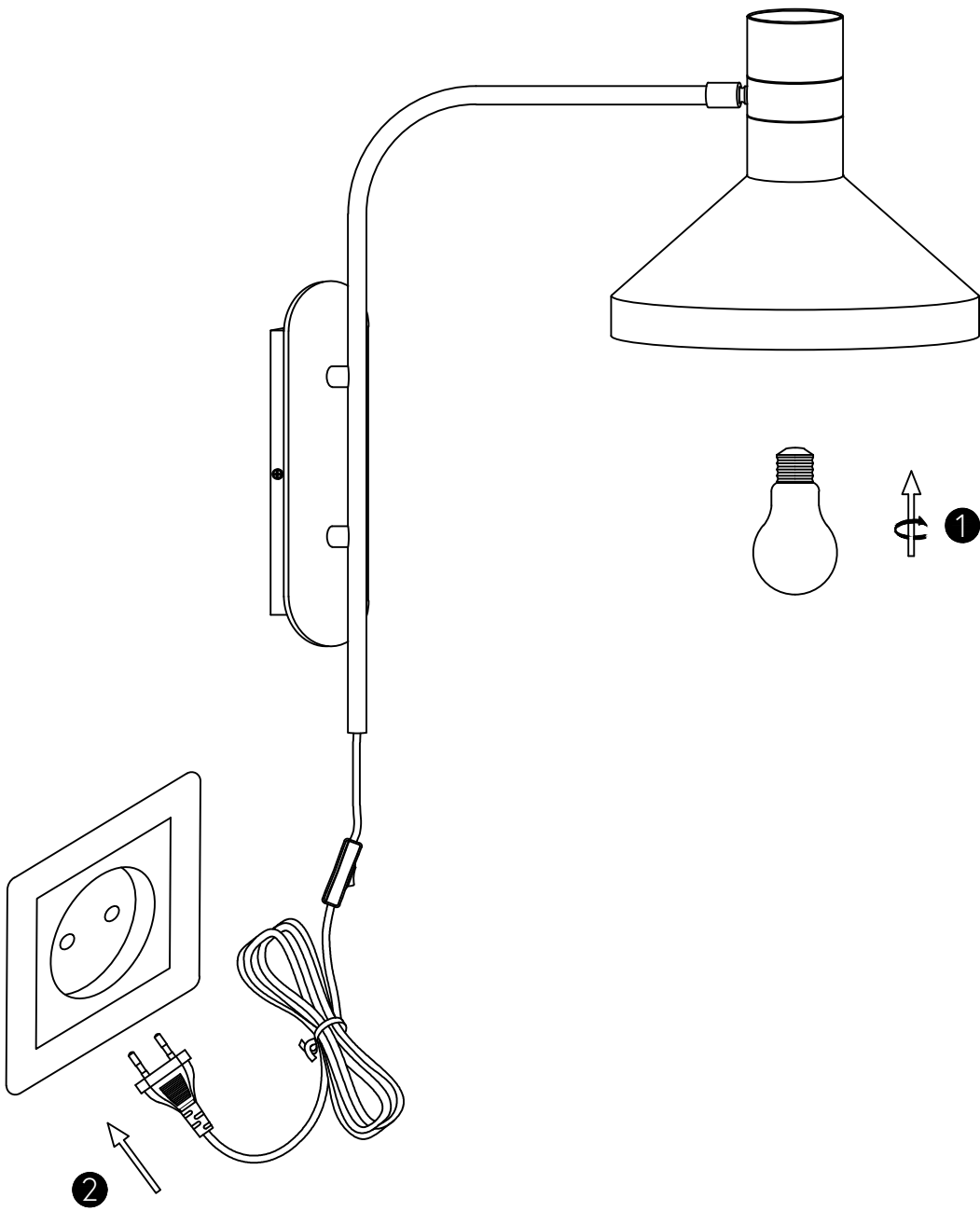
x 2

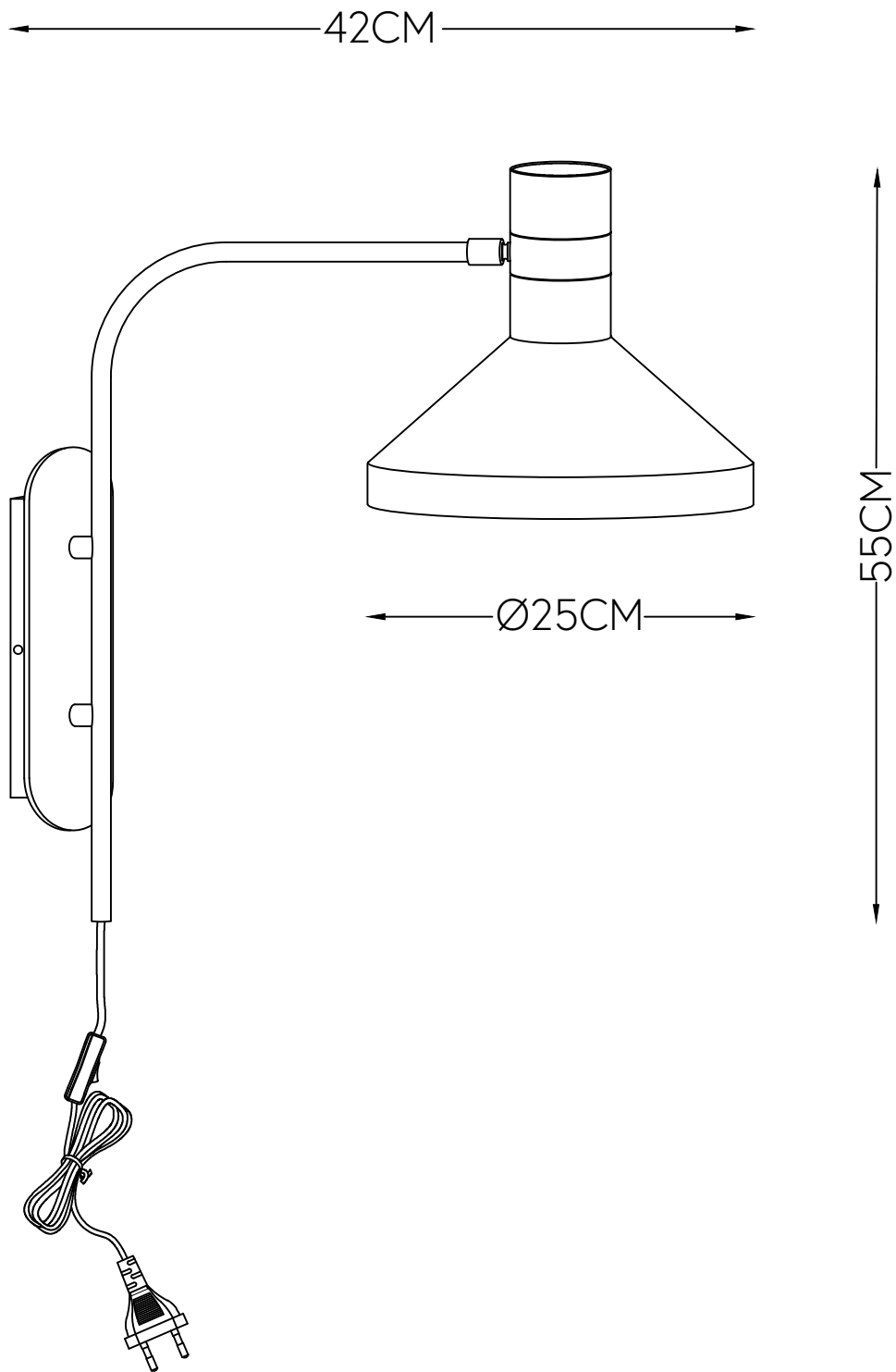


x 1







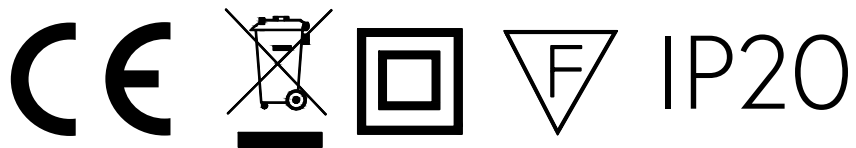


Model number:991207

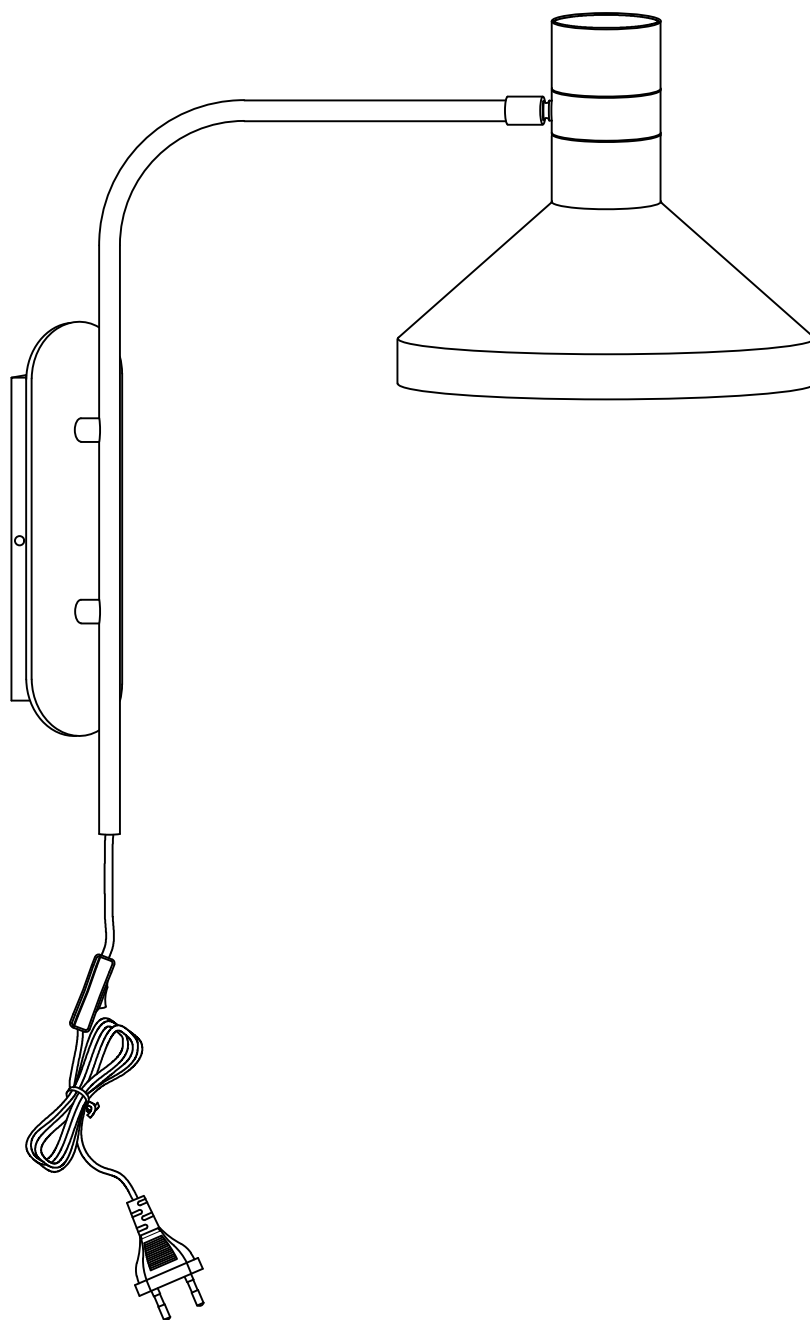
220-240V~50Hz

E27 MAX.15W LED Bulb

Hübsch A/S,Hi-Park 381,DK-7400 Herning



hubsch-interior.com



#myhubsch @hubschinterior

Hübsch
DANISH HOME INTERIOR & DESIGN