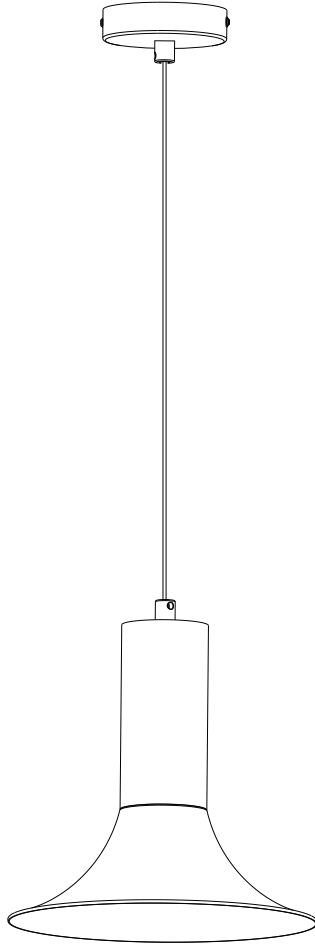
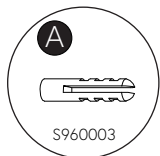
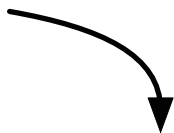
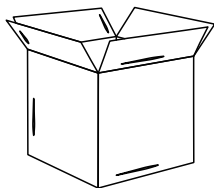


# Luminary Pendant Lamp

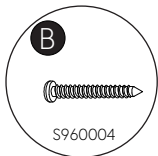


Hübsch

DANISH HOME INTERIOR & DESIGN



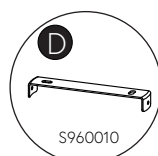
x2



x2



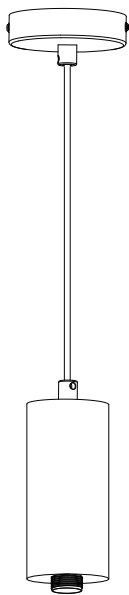
x2



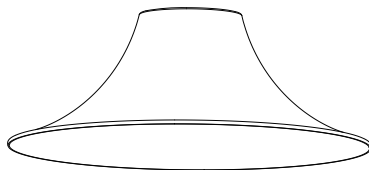
x1



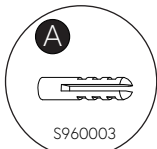
x1



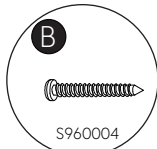
x1



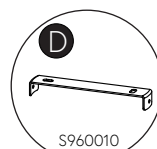
x1



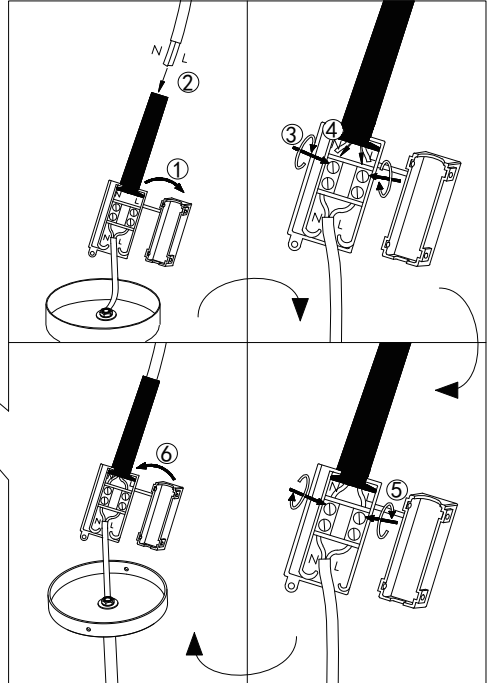
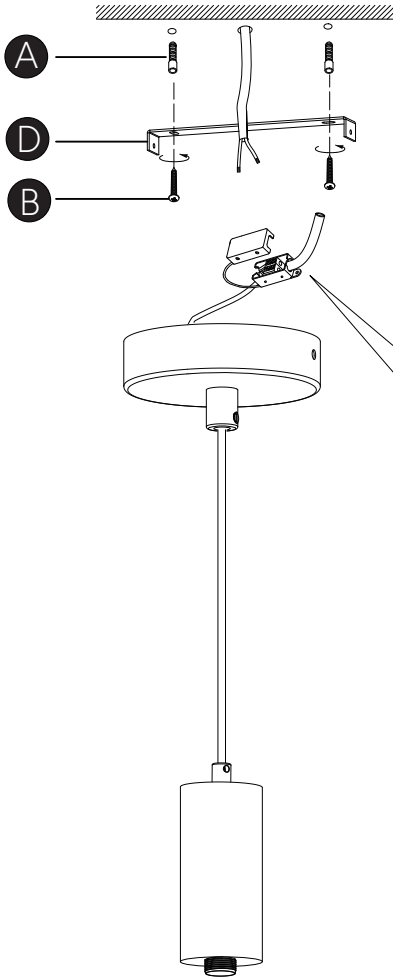
x2

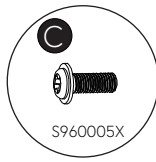


x2

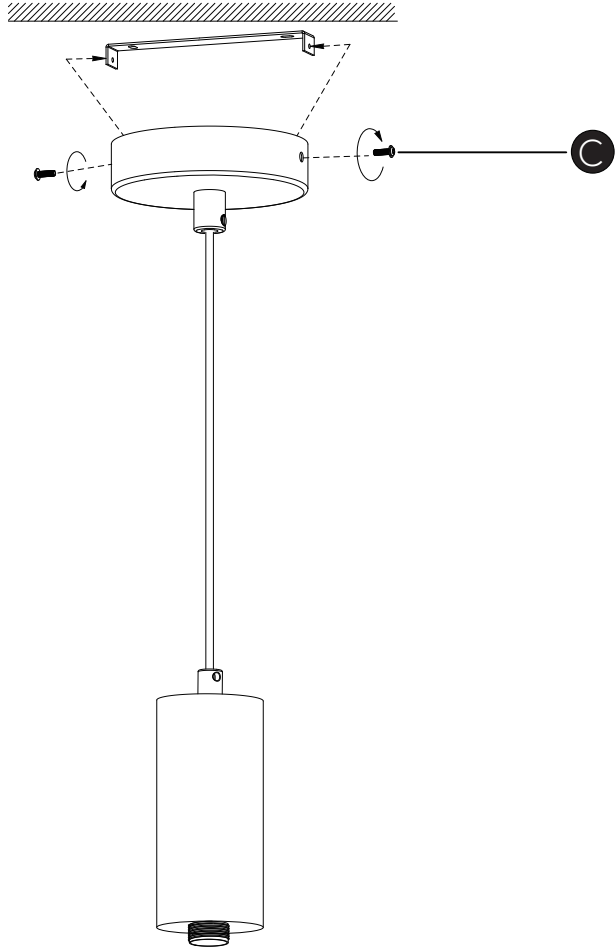


x1



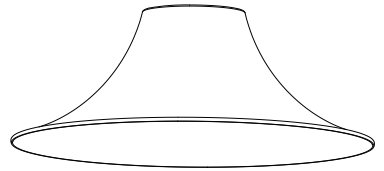


×2

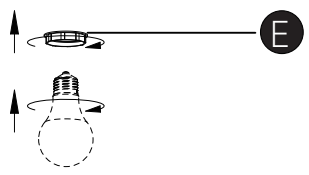
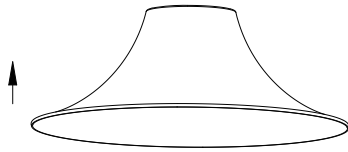
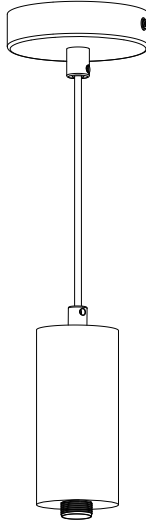


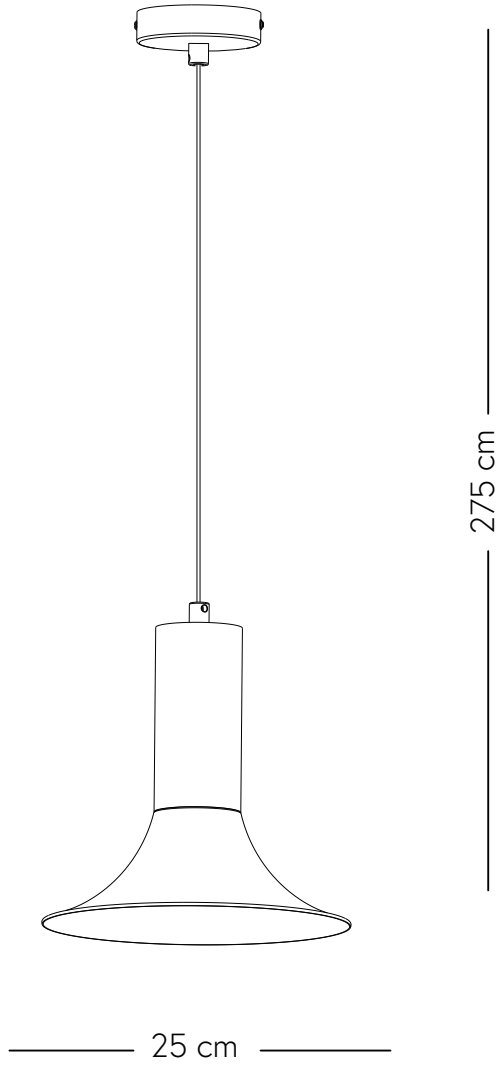


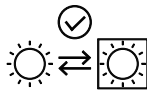
x1



x1



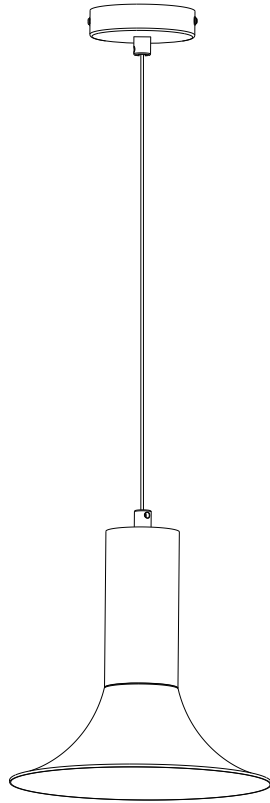




220-240V~50/60Hz, E27 MAX LED 6W



[hubsch-interior.com](http://hubsch-interior.com)



**#myhubsch @hubschinterior**

**Hübsch**  
DANISH HOME INTERIOR & DESIGN