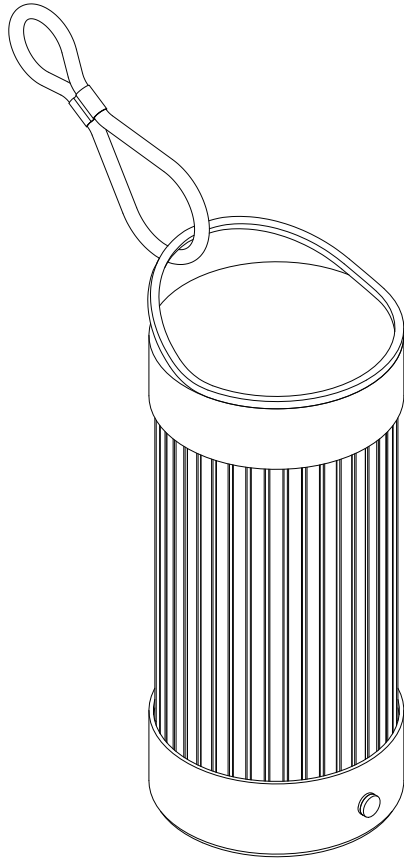
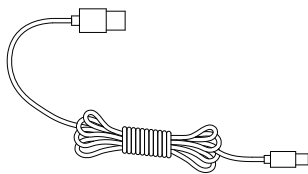
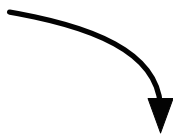
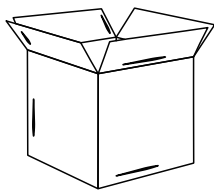


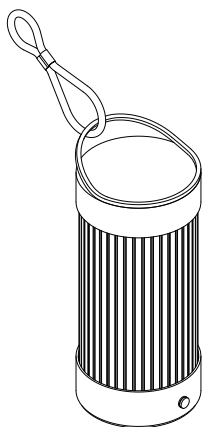
# Camp Portable Lamp



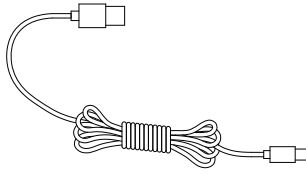
Hübsch  
DANISH HOME INTERIOR & DESIGN



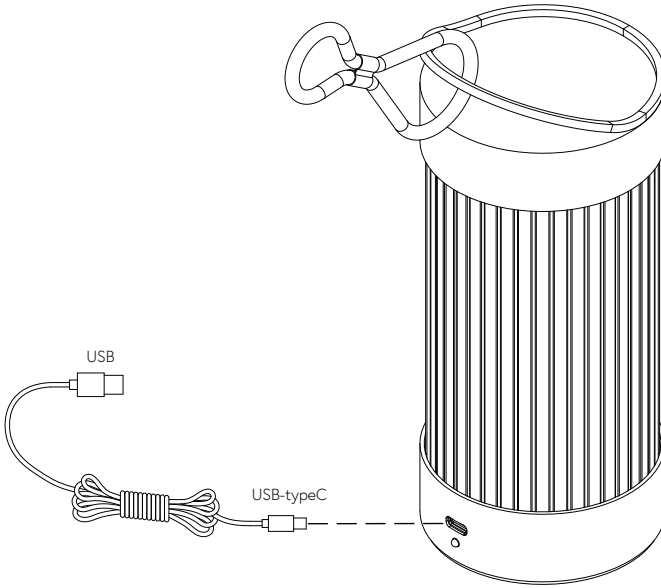
x1

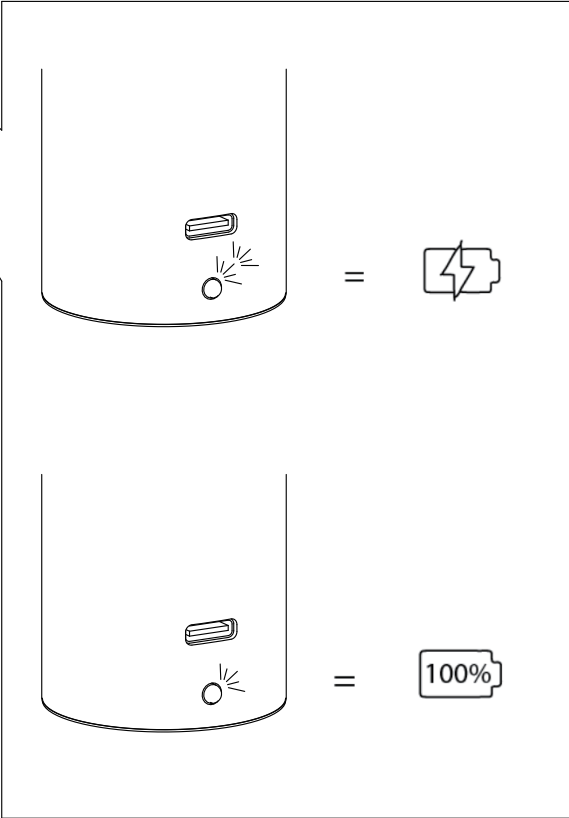
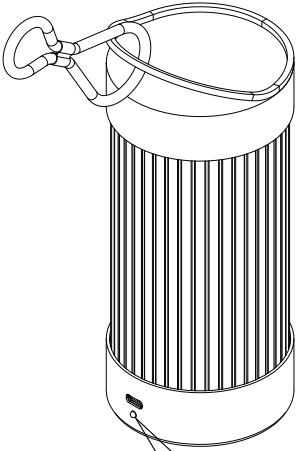


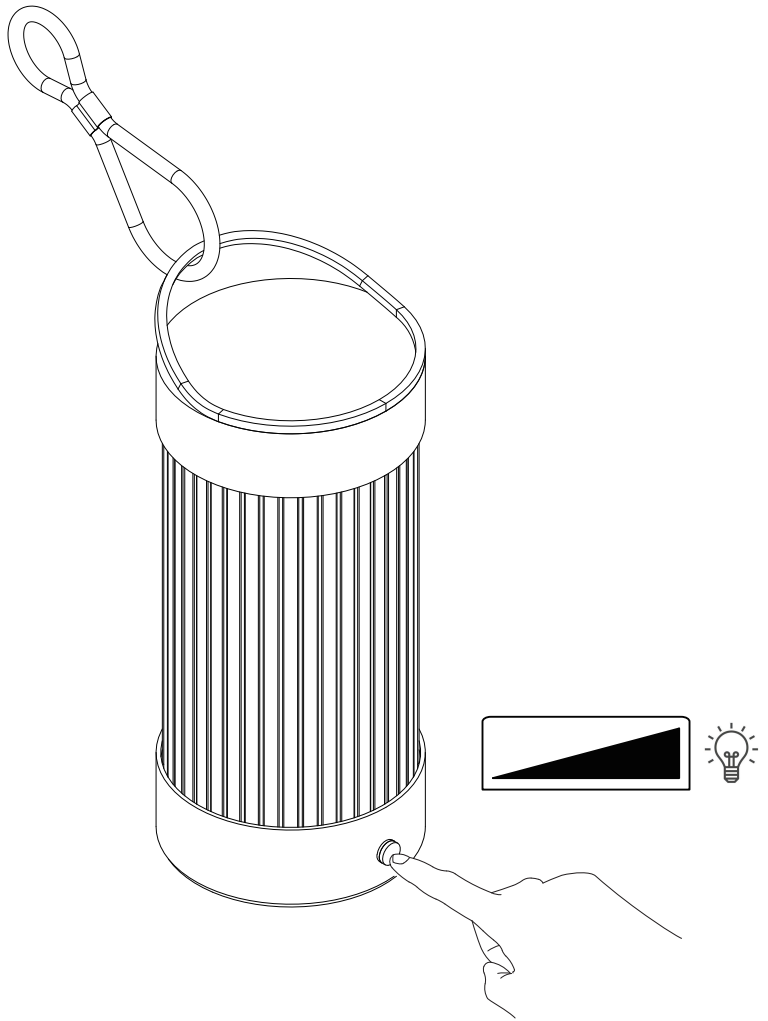
x1

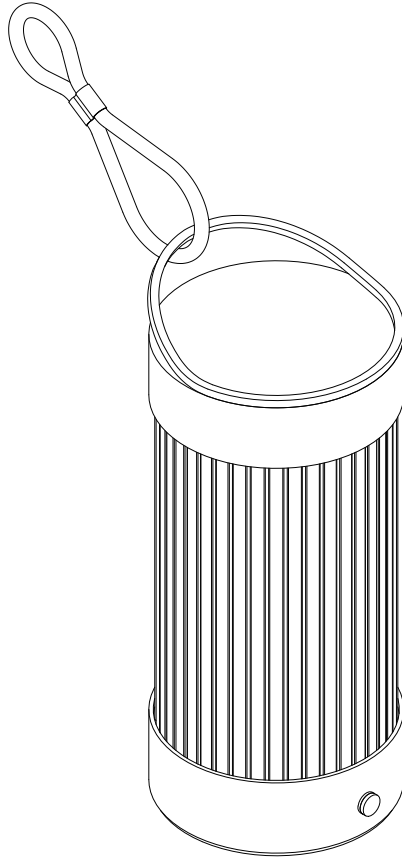


x1











21 cm

Ø9cm

  
**Hübsch A/S**  
961911

A  
B  
C  
D  
E  
F  
**G**

**3**  
kWh/1000h

 2019/2015



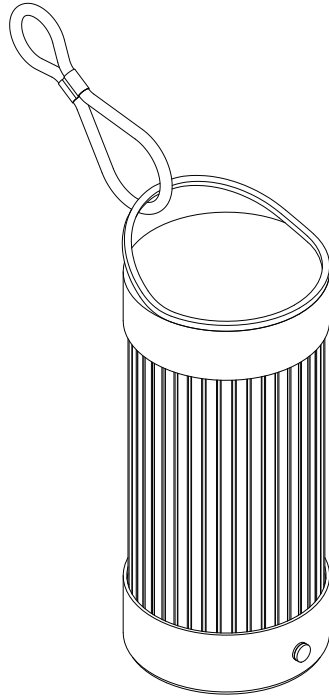
**Battery: Li-ion 3.7V 5200mAh**

**5V/2A USB Type-C**

**LED 3W, IP44**



**hubsch-interior.com**



**#myhubsch @hubschinterior**

**Hübsch**  
DANISH HOME INTERIOR & DESIGN