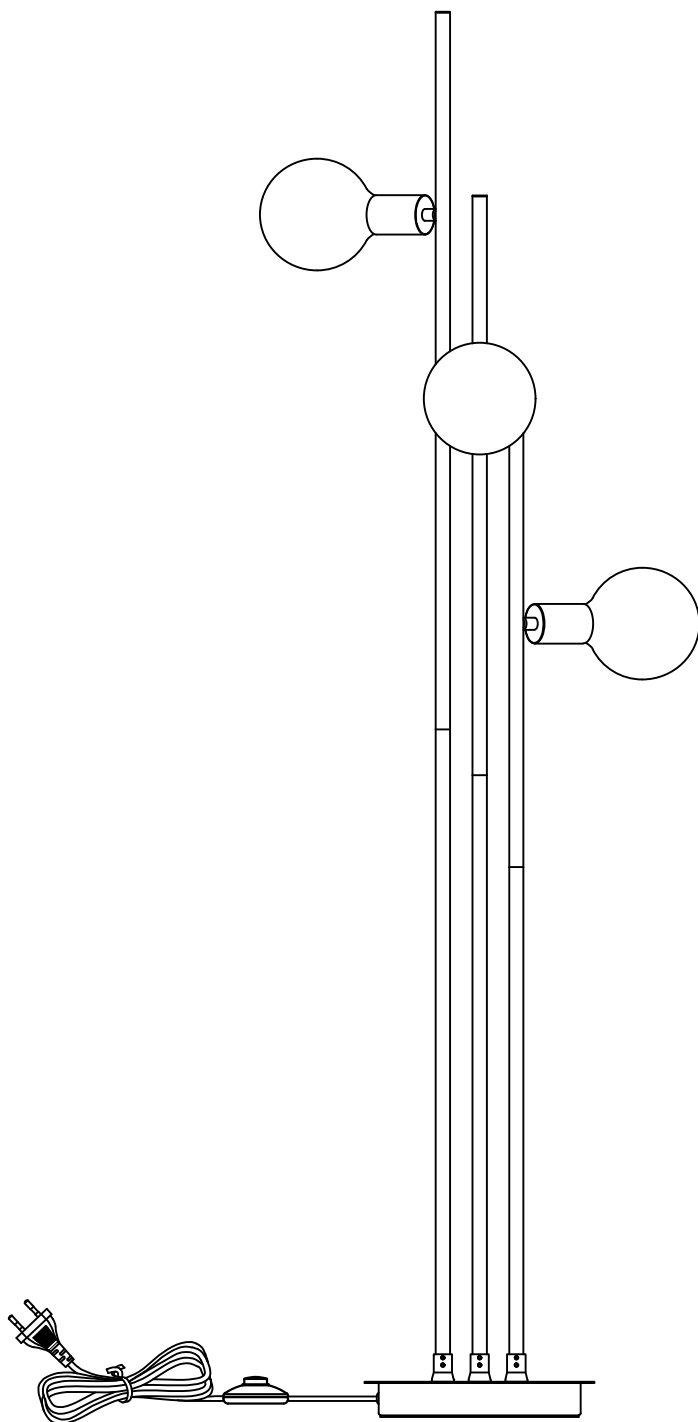
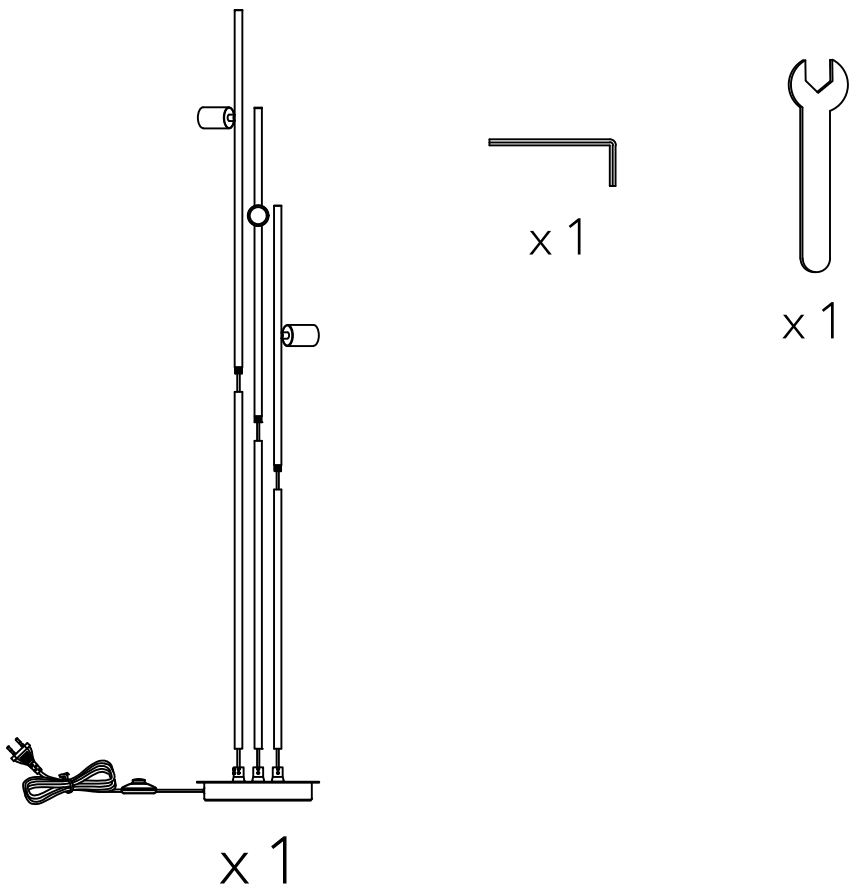
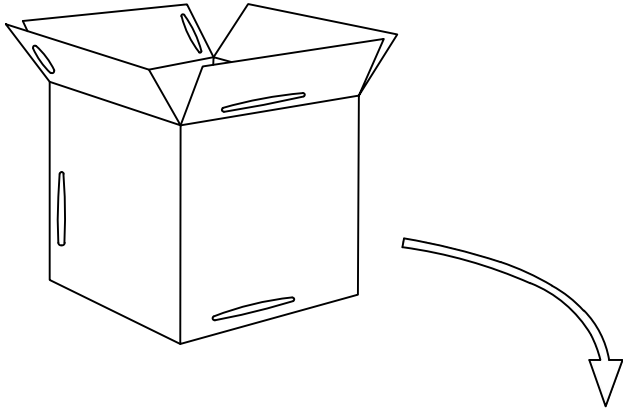
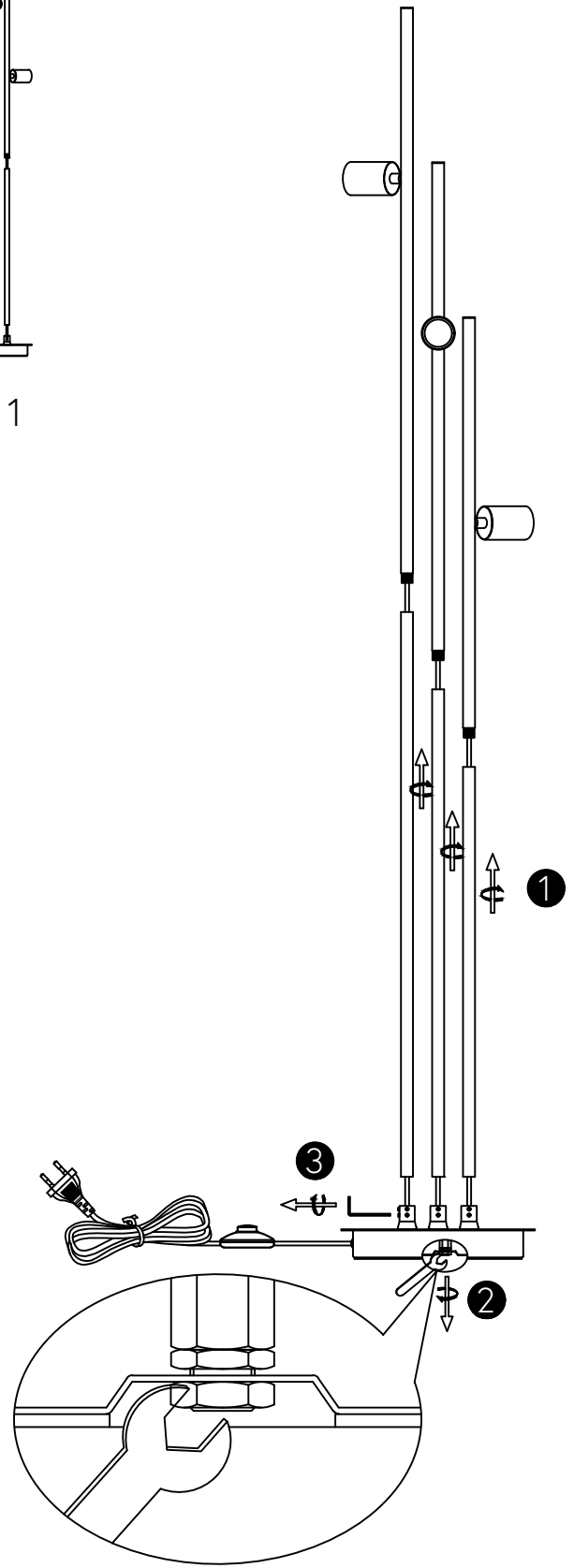
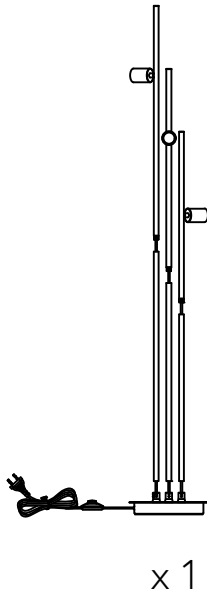


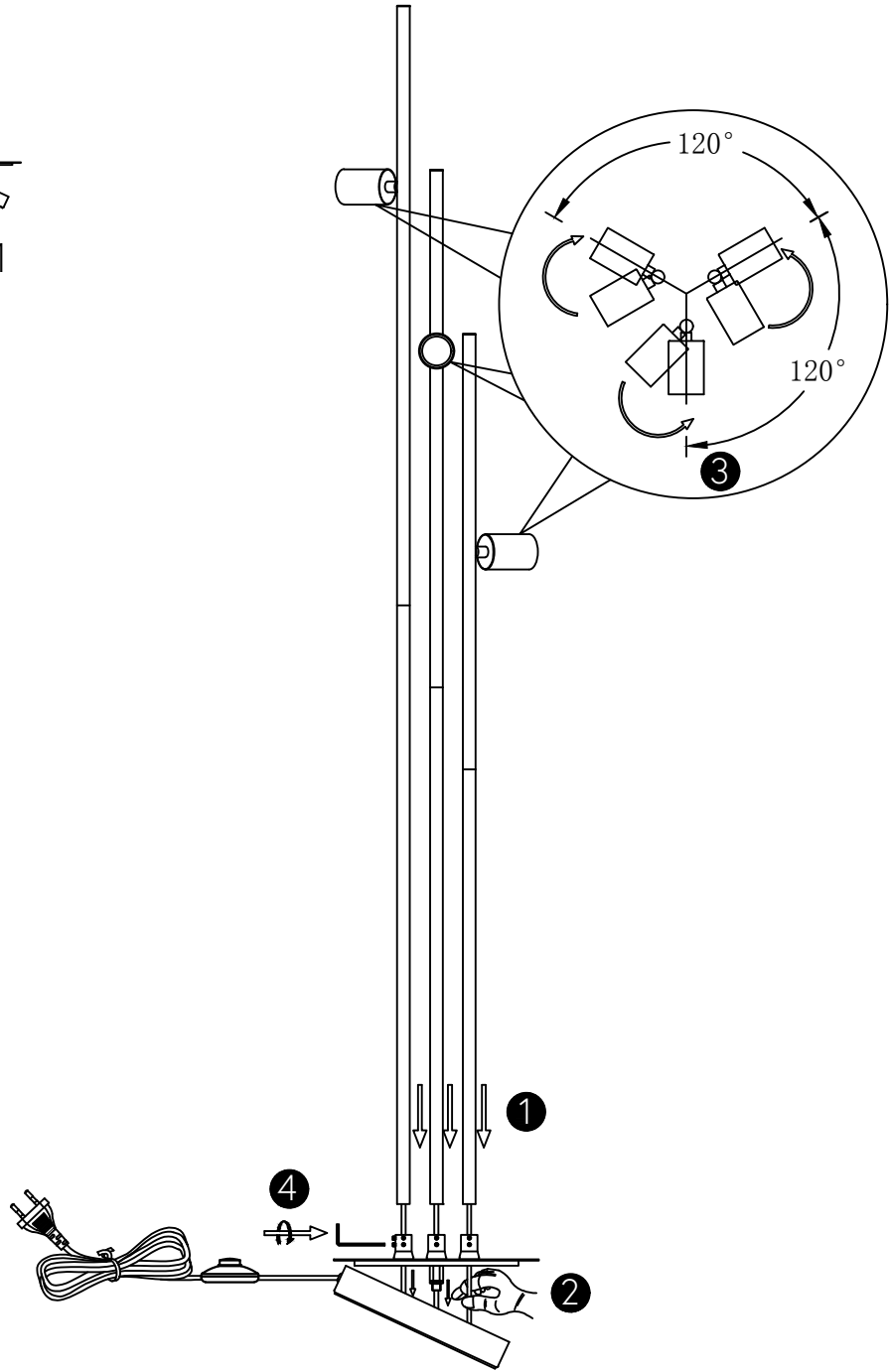
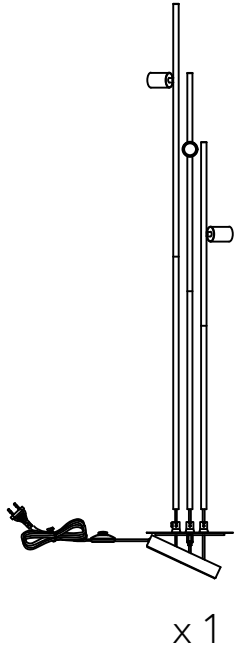
# Balance Floor Lamp

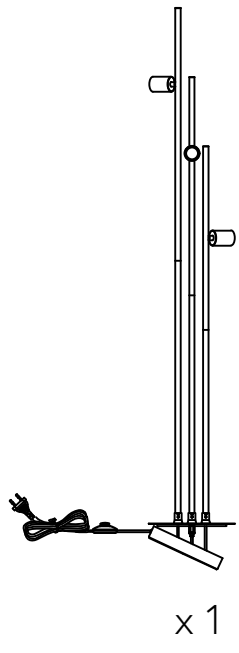


Hübsch  
DANISH HOME INTERIOR & DESIGN



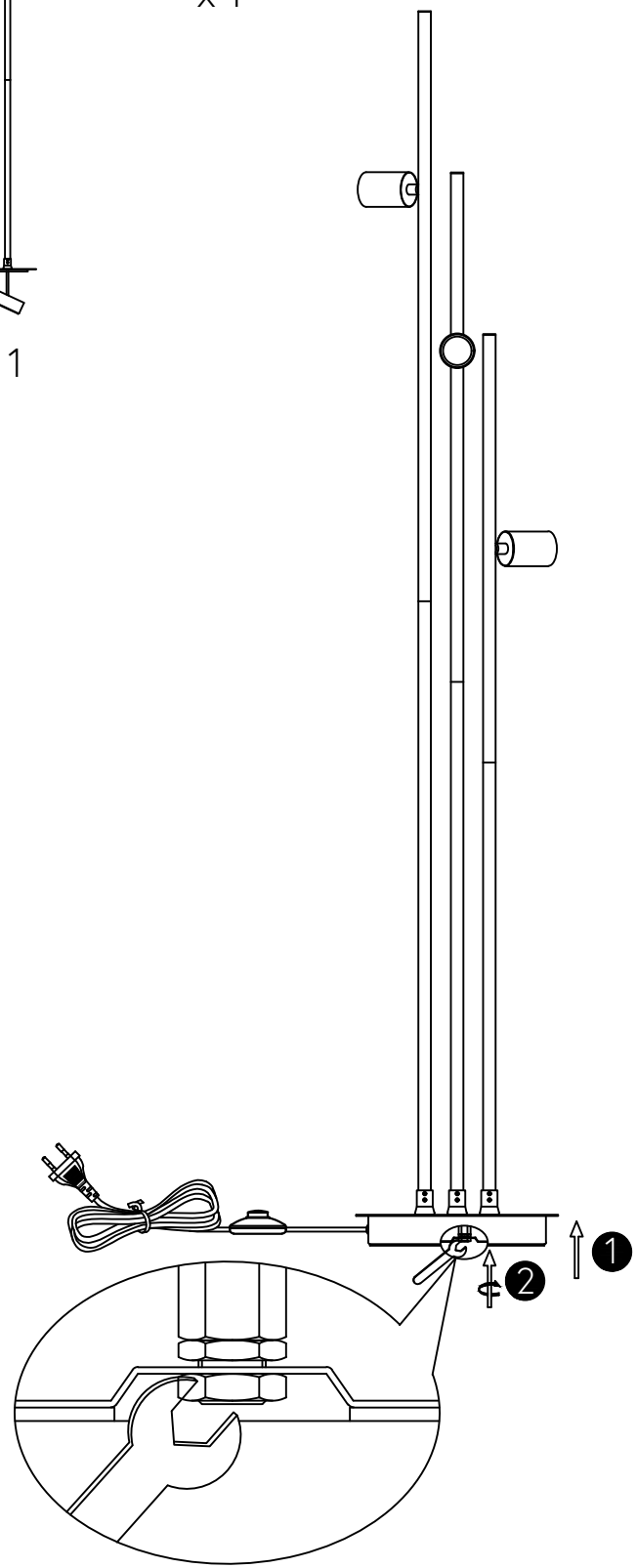






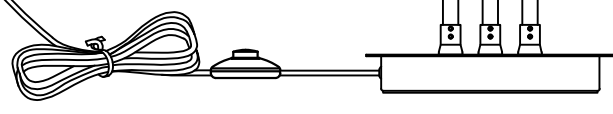
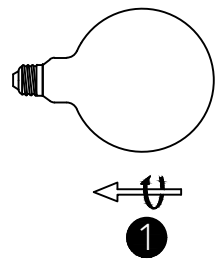
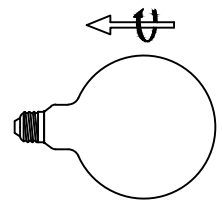
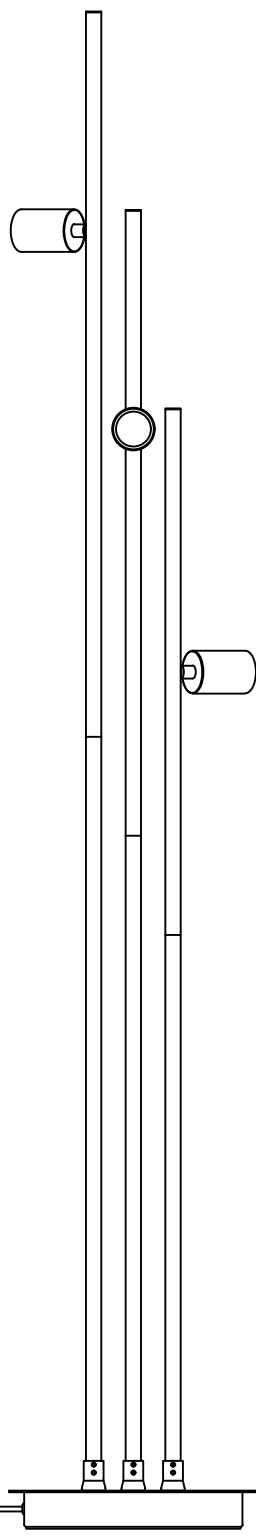
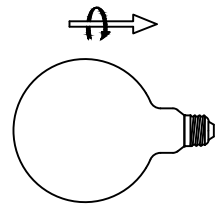
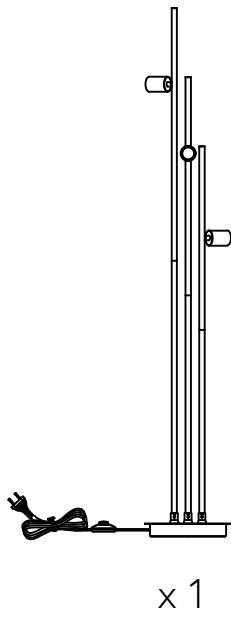
x 1

x 1



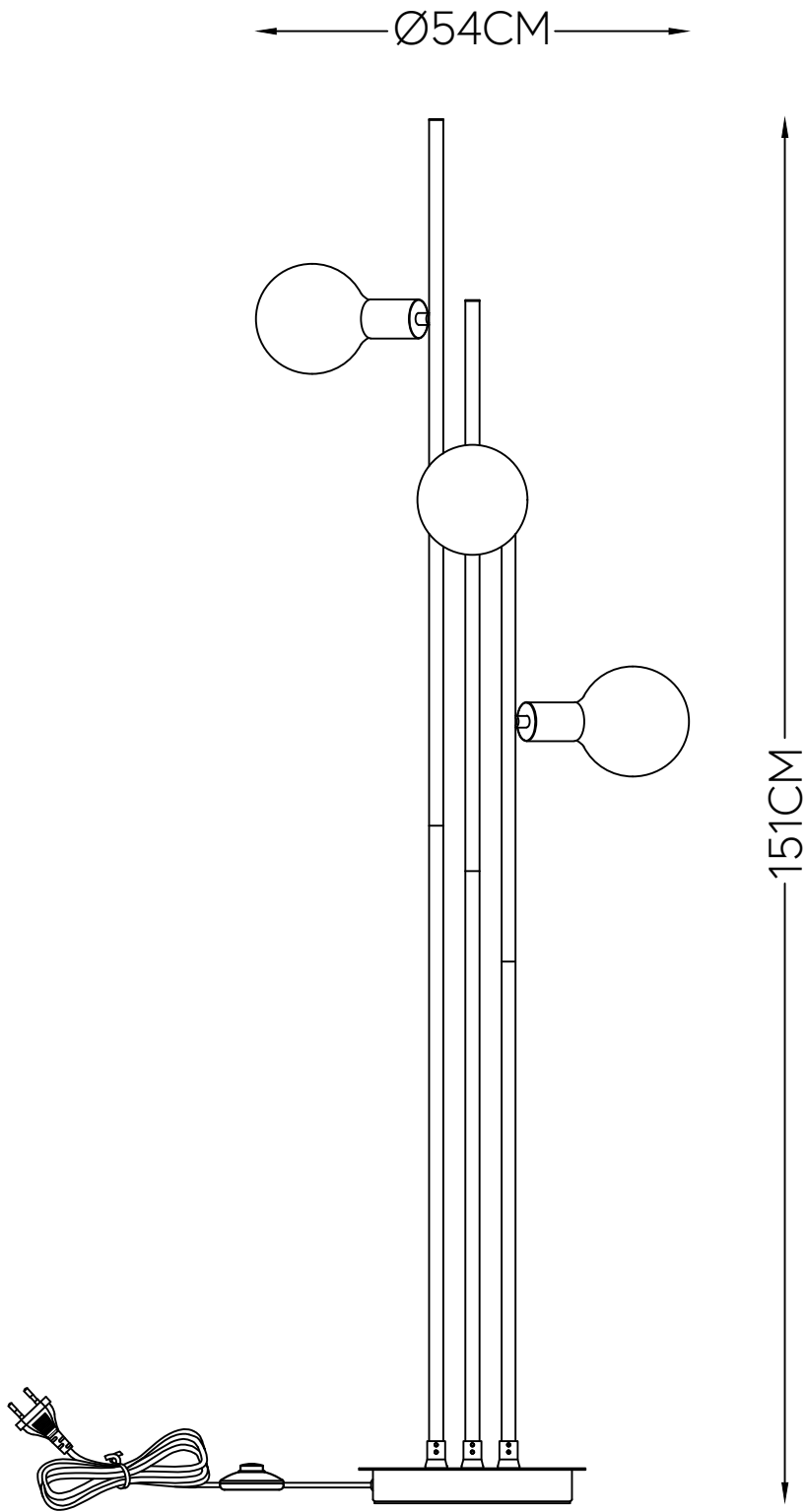
5



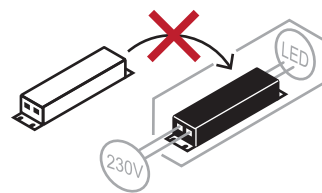
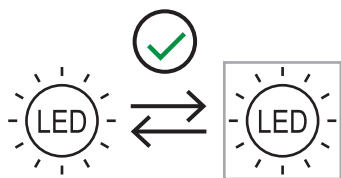












Model number:890502

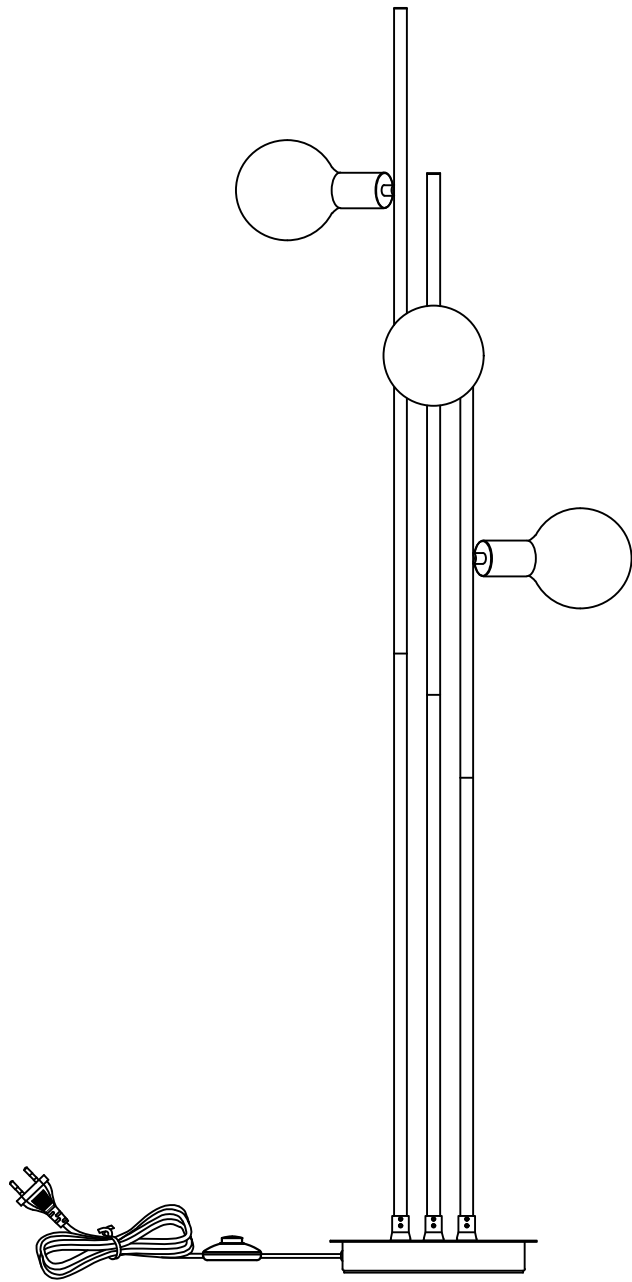
220-240V~50Hz

E27 MAX.3x15W LED bulb

Hübsch A/S,Hi-Park 381,DK-7400 Herning



[hubsch-interior.com](http://hubsch-interior.com)



#myhubsch @hubschinterior

Hübsch  
DANISH HOME INTERIOR & DESIGN