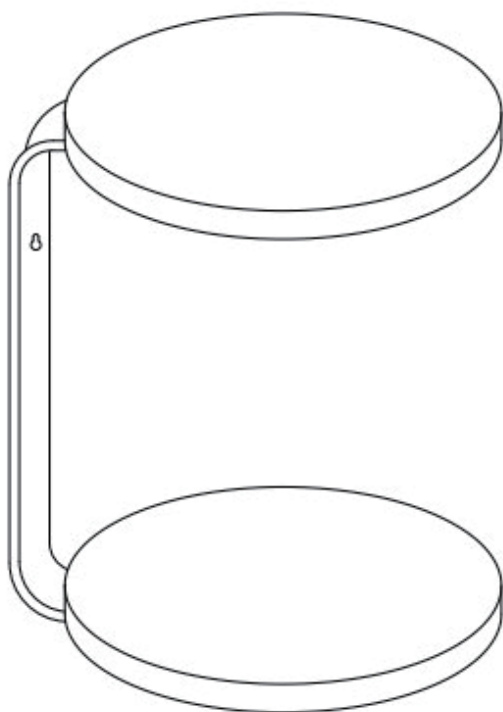
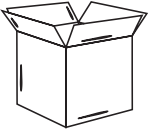


Oto Wall Shelf





A x 4



B x 1



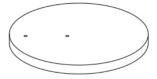
C x 1



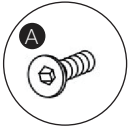
D x 1



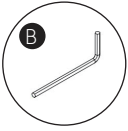
E x 1



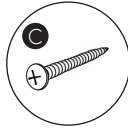
F x 2



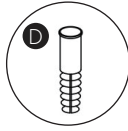
x 4



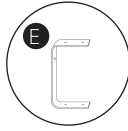
x 1



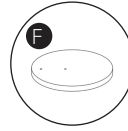
x 1



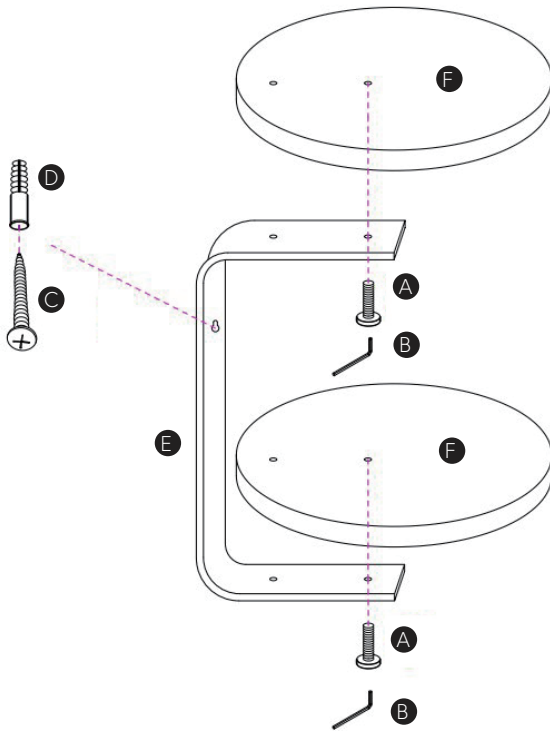
x 1

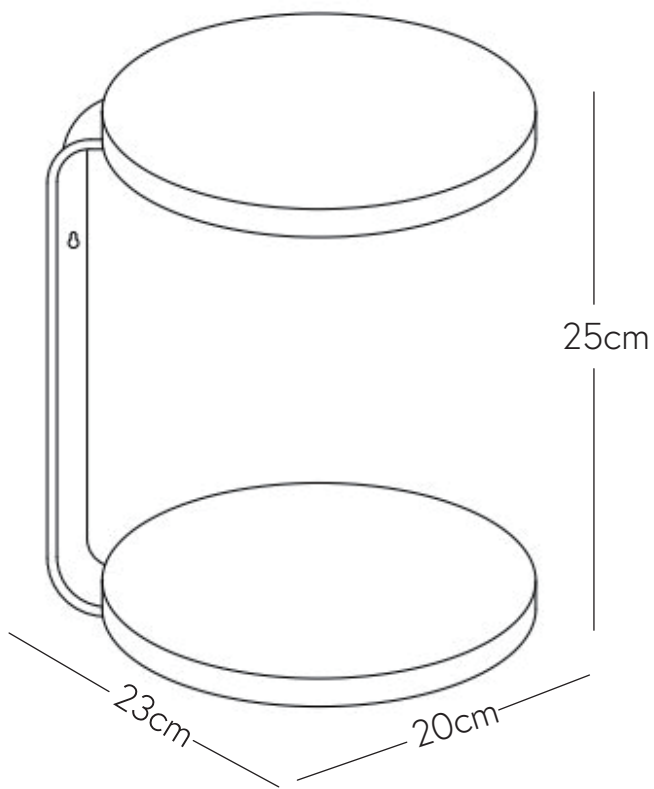


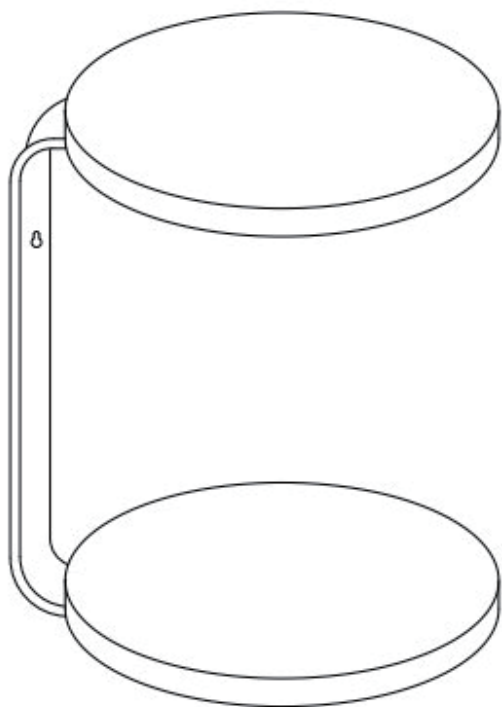
x 1



x 2







#myhubsch @hubschinterior

Hübsch
DANISH HOME INTERIOR & DESIGN